



INSTRUCTION MANUAL

***PLEASE READ ALL INSTRUCTION AND SAFETY PRECAUTIONS BEFORE OPERATING PRODUCT!
SAVE FOR FUTURE REFERENCE, WARRANTY PERTINENT CONTENT.***

Product Specifications:

Model – 9000II

Voltage – 115v	Voltage – 230v
Amperage – 16.08	Amperage – 16.08
Wattage – 1849.2	Wattage – 3698.4
Hertz – 60	Hertz – 50
RPM – 3450	RPM - 2850
Horse Power – 1/3	Horse Power – 1/3
Product Air Volume: 260CFM	Product Air Volume: 260CFM

IMPORTANT SAFEGUARDS

WARNING: IMPORTANT SAFETY PRECAUTIONS!! PLEASE READ COMPLETELY BEFORE USING PRODUCT!!

When using electrical appliances, especially when children or animals are present, basic safety pre-cautions should always be followed to reduce the risk of fire, electric shock, and personal injury, including, but not limited to the following:

1. Do not leave dryer OR the animal unattended while product is in use.
2. Unplug unit when not in use.
3. Do not use extension cords with dryer.
4. Do not unplug unit by pulling on cord.
5. Do not expose dryer to rain or water.
6. Do not use or store dryer where it can fall or be pulled into tub or sink or standing water. If dryer falls into water . . . UNPLUG IT . . . Do not reach into the water!
7. Unplug unit before attempting any maintenance or service.
8. Do not put any object into dryer openings.
9. Keep loose clothing, jewelry and hair away from dryer openings.
10. Do not direct dryer air towards eyes or ears of people or pets.
11. Never use dryer if it has a damaged cord or plug, has been dropped, damaged, exposed to rain or water. Return to **Double K Industries** or an Authorized Service Center for service.
12. This product is for use on animals only.
13. Recommended operation by adults only. Use caution when working around children.
14. Do not use attachments not recommended by **Double K Industries**.
15. Do not operate without filters in place. Keep filters clean, as dirty filters limit air intake and may damage the motor or cause overheating.
16. Plug only into a properly grounded receptacle. Always make sure the amperage of the electrical outlet is sufficient for the amperage rating of the product. (See Product Specifications for amperage rating of this product).
17. Do not use product for anything other than its intended purpose.
18. Do not attempt to perform any service or maintenance not outlined in instruction manual.
19. Do not attempt any product modifications or alterations. Do not use, if any parts or switches is damaged - send to an Authorized Service Center or **Double K Industries** for service.
20. When servicing, use only **Double K Industries** parts.

9711 Mason Avenue Chatsworth, CA 91311
(818) 772-2887 (800) 821-9449 Fax: (818) 886-0218
www.DoubleKIndustries.com info@DoubleKIndustries.com

Congratulations!

You've just purchased the **Double K CHALLENGAIR 9000II Pet** Dryer, which produces large volumes of warm air under pressure to make all of your animal grooming tasks easier. Your new dryer is designed to provide long, reliable service.

Please read this manual carefully and completely before beginning operation of your dryer and keep this manual in a convenient and safe place for future reference.

A warranty card is included with your dryer and should be filled out completely and mailed to Double K Industries within 30 days of the purchase date of your dryer to validate your warranty. Online registration available at www.DoubleKIndustries.com

Your **CHALLENGAIR 9000II** has a two year warranty covering the unit against defects in materials and workmanship. Regular maintenance items such filters are not included (see warranty card for complete warranty information). It is also important to retain your sales receipt as proof of purchase should service ever be needed.

Limitations - Warranty does not cover shipping or transportation costs. Warranty applies to original purchaser only. Proof of date of purchase is required. Warranty is void if registration card is not mailed within 30 days of purchase or delivery. Warranty does not cover abuse, Accidents, acts of war, dropped product, improper voltage, disassembly or alteration. Disassembly, repair or service by anyone other than Double K Industries or a Double K Industries authorized service center will void the warranty.

Operation:

Switches and Controls:

Your dryer has three rocker switches.

- To turn the dryer on: Flip the left switch to the "ON" position.
- To turn the dryer off: Flip the left switch to the "OFF" position.

Heat control:

- **Low Heat:** Flip the top right switch to the "LOW" position while the bottom right switch is in the off position.
- **Medium Heat:** Flip the bottom right switch to the "MED" Position while the top right switch is in the off position.
- **High Heat:** Flip both switches to "LOW" and "MED" Position.
- **To turn off heat:** Flip both switches to the "OFF" position.

Air Control: The air volume on your dryer is controlled by the baffle wheel located under the filter on the top of the dryer. Rotate the lever attached to the wheel clockwise to reduce the air and counterclockwise to increase the air volume.(see ref #9) NOTE: The heat will also change as you increase or decrease the air volume, so you may want to adjust the heat setting together with the air volume to achieve the desired combination of air temperature and volume.

REQUIRED MAINTENANCE

FILTERS:

(The maintenance obligations below must be performed on a regular basis or as needed to protect warranty status)

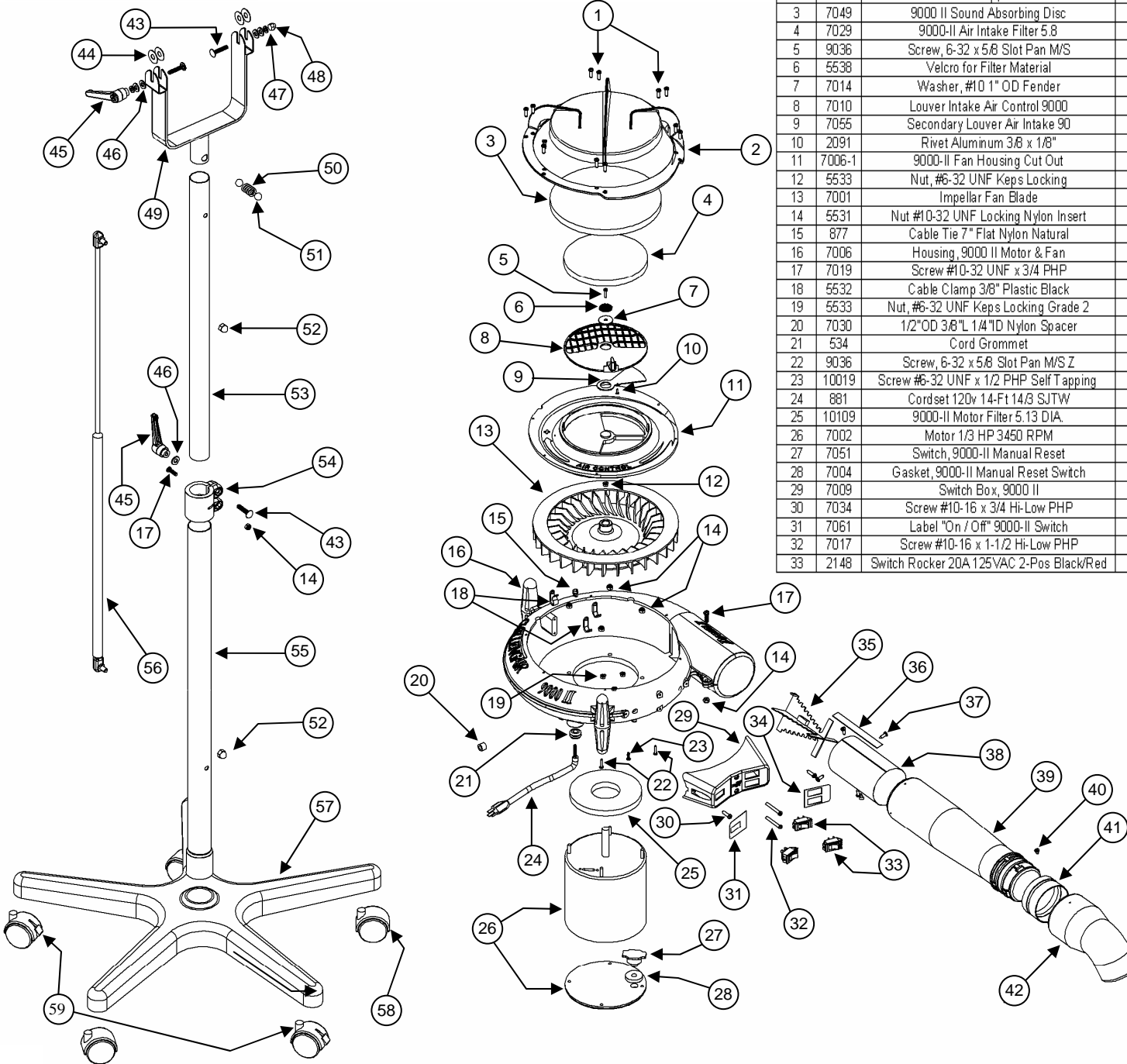
If the filters become heavily coated with hair and/or dirt, it will reduce the air out-put of your dryer and can cause damage to the motors or cause the motors to overheat.

**Never operate the dryer without all filters in place.*

Filter Cleaning: The top filter may be cleaned after each use by wiping away hair that is on the filter. The filter must periodically be shaken out, or vacuumed off to remove excessive dirt, hair and dander that is in the filter. The filter may also be washed with water and mild soap. Let dry completely before installing back on the dryer. (Never run dryer without filter in place.)

Cleaning Dryer Interior: Hair and dust will accumulate inside the dryer. Blow clean as needed using a Challengair Forced Air Dryer or suitable high pressure air outlet.

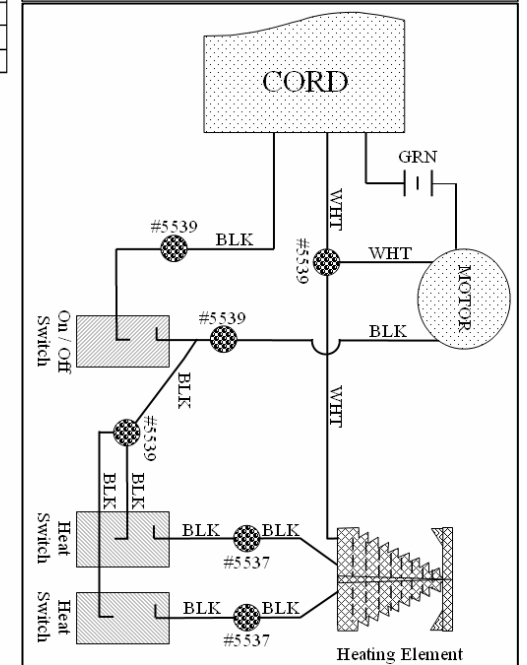
Any maintenance not explained in this manual should be performed by **Double K Industries**, or an Authorized Service Center. Call **Double K Industries** for the name of an Authorized Service Center nearest you. All warranty service must be performed by an Authorized Service Center (or Double K Industries) to protect your warranty status.

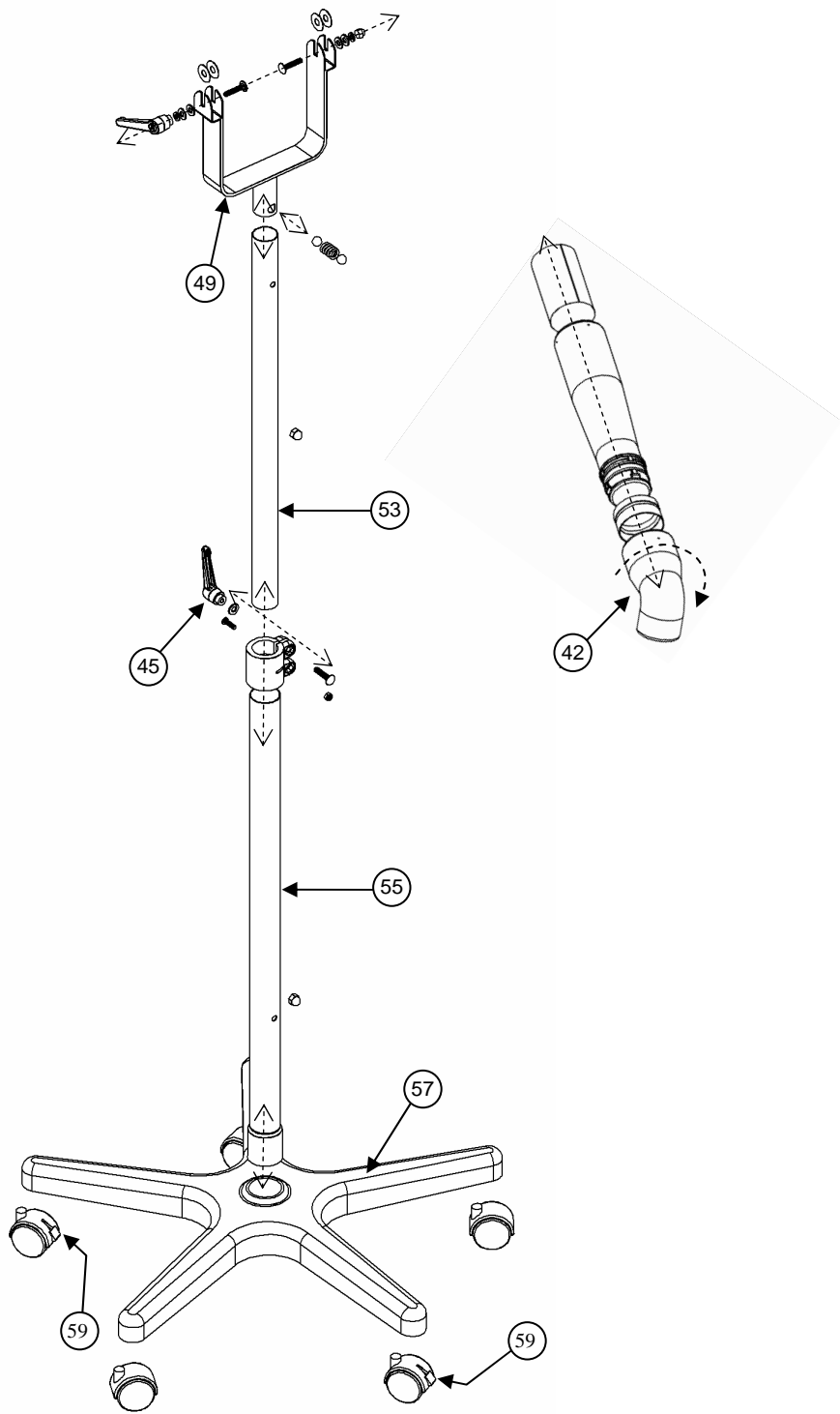


9000II PARTS LIST

Item #	Part #	DESCRIPTION	Qty.	Item #	Part #	DESCRIPTION	Qty.
1	7020	Screw #8-16 x 5/8 Hi-Low PHP	12	34	7062	Label, 9000 II Heat Control, Two Switch	1
2	7032	Sound Cap, 9000-II	1	35	7044	115v 9000-II Element 1390 watt w/Fuse	1
3	7049	9000 II Sound Absorbing Disc	1	36	10122	Graphite Tape .015 x 1.0 x 50"	1
4	7029	9000-II Air Intake Filter 5.8	1	37	9003	Screw #8 x 1/2 Sht, Metal P/Ph	4
5	9036	Screw, 6-32 x 5/8 Slot Pan W/S	1	38	7054	Shield For Heating Element	1
6	5538	Velcro for Filter Material	1	39	7045	9000-II Arm Extension	1
7	7014	Washer, #10 1" OD Fender	1	40	443	Modifield Screw #8	1
8	7010	Louver Intake Air Control 9000	1	41	7046A	Sleeve, 9000 II Arm Ext. 3"OD	1
9	7055	Secondary Louver Air Intake 90	1	42	7007	Nozzle Directional, 9000 II Arm	1
10	2091	Rivet Aluminum 3/8 x 1/8"	1	43	7015	Bolt Screw 1/4-20 UNC x 1-1/4 Carriage	3
11	7006-1	9000-II Fan Housing Cut Out	1	44	7013	Washer, 1.0 ODx.378 IDx.030 THK	4
12	5533	Nut, #6-32 UNF Keps Locking	4	45	7033	Handle Lever Adj. Black	2
13	7001	Impellar Fan Blade	1	46	10031	Washer, 1/4 SAE Flat P/td	5
14	5531	Nut #10-32 UNF Locking Nylon Insert	6	47	967	Washer Split Lock 1/4"	2
15	877	Cable Tie 7" Flat Nylon Natural	1	48	7031	Nut Acorn 1/4-20 UNC Zinc Plate	1
16	7006	Housing, 9000 II Motor & Fan	1	49	7011	9000-II Mounting Fork Black	1
17	7019	Screw #10-32 UNF x 3/4 PHP	2	50	7048	Mounting Fork Spring Compression	1
18	5532	Cable Clamp 3/8" Plastic Black	3	51	7047	1/2" Steel Ball, Mounting Fork	2
19	5533	Nut, #6-32 UNF Keps Locking Grade 2	3	52	808	Nut 5/16-18 UNC Nickel Plated	2
20	7030	1/2"OD 3/8"L 1/4"ID Nylon Spacer	2	53	838A	Tube, 24" Inner Dryer Stand	1
21	534	Cord Grommet	1	54	7003	Clamp Stand Height Adjust	1
22	9036	Screw, 6-32 x 5/8 Slot Pan M/S Z	2	55	9020A	Tube, 30" Outer Dryer Stand	1
23	10019	Screw #6-32 UNF x 1/2 PHP Self Tapping	1	56	830-1	Gas Spring 36", Lift-O-Mat	1
24	881	Cordset 120v 14-Ft 14/3 SJTW	1	57	9023	Stand Base, 26" 5-Leg Black	1
25	10109	9000-II Motor Filter 5.13 DIA.	1	58	9021	Caster 50mm Twin Wheel	3
26	7002	Motor 1/3 HP 3450 RPM	1	59	9022	Caster 50mm Locking Twin Wheel	2
27	7051	Switch, 9000-II Manual Reset	1				
28	7004	Gasket, 9000-II Manual Reset Switch	1				
29	7009	Switch Box, 9000 II	1				
30	7034	Screw #10-16 x 3/4 Hi-Low PHP	2				
31	7061	Label "On / Off" 9000-II Switch	1				
32	7017	Screw #10-16 x 1-1/2 Hi-Low PHP	2				
33	2148	Switch Rocker 20A 125VAC 2-Pos Black/Red	3				

WIRING DIAGRAM





ASSEMBLY:

Dryer and Stand

The stand tube assembly is pre-assembled and wrapped in paper. The stand tube assembly is compressed and held in position by the center clamp. Loosen the handle on the clamp and allow the spring to extend the tube assembly. Place the end of the larger outer tube down into the center of the stand base. Twist and push down firmly (see ref #55, 57). On the dryer head assembly, move the yoke to a 90-degree angle to the dryer. Lift the dryer and position over the assembled stand and slide the tube of the yoke into the upper stand tube (see ref #49, 53). With clamping handle still loose, raise or lower dryer to desired height and tighten stand adjustment handle as explained in the next paragraph. (see ref #45).

Stand Height Adjustment and Dryer Angle Adjustment:

Your dryer has "ratchet" type adjustment handles on the stand and the dryer. To tighten an adjustment handle, turn the handle clockwise as far as is comfortable. As necessary, for additional tightening, pull the handle out to disengage the "ratchet" and while keeping the handle pulled out, turn the handle counter-clockwise to a suitable position for continued tightening. Release the handle to engage the "ratchet" again and repeat these procedures until the adjustment handle is tight. Reverse the turning direction of these actions to loosen an adjustment handle. **NOZZLE:** The nozzle at the end of the extension arm may be rotated to change the direction of the airflow. Simply rotate nozzle to the desired direction (see ref #42).

Dryer Stand: Your dryer stand has two locking casters to keep the dryer from rolling inadvertently. To lock wheels, press down the small tab on the locking casters. To unlock, lift up on tab (see ref #59). For long life and smoother operation, avoid rolling casters through hair that has fallen on the floor.

Optional Attachment: A hose and nozzle kit is available for the Challengair 9000II. To attach the hose to the dryer, insert hose end into the arm extension nozzle. To attach nozzles to the hose, simply push nozzle securely onto the hose end.